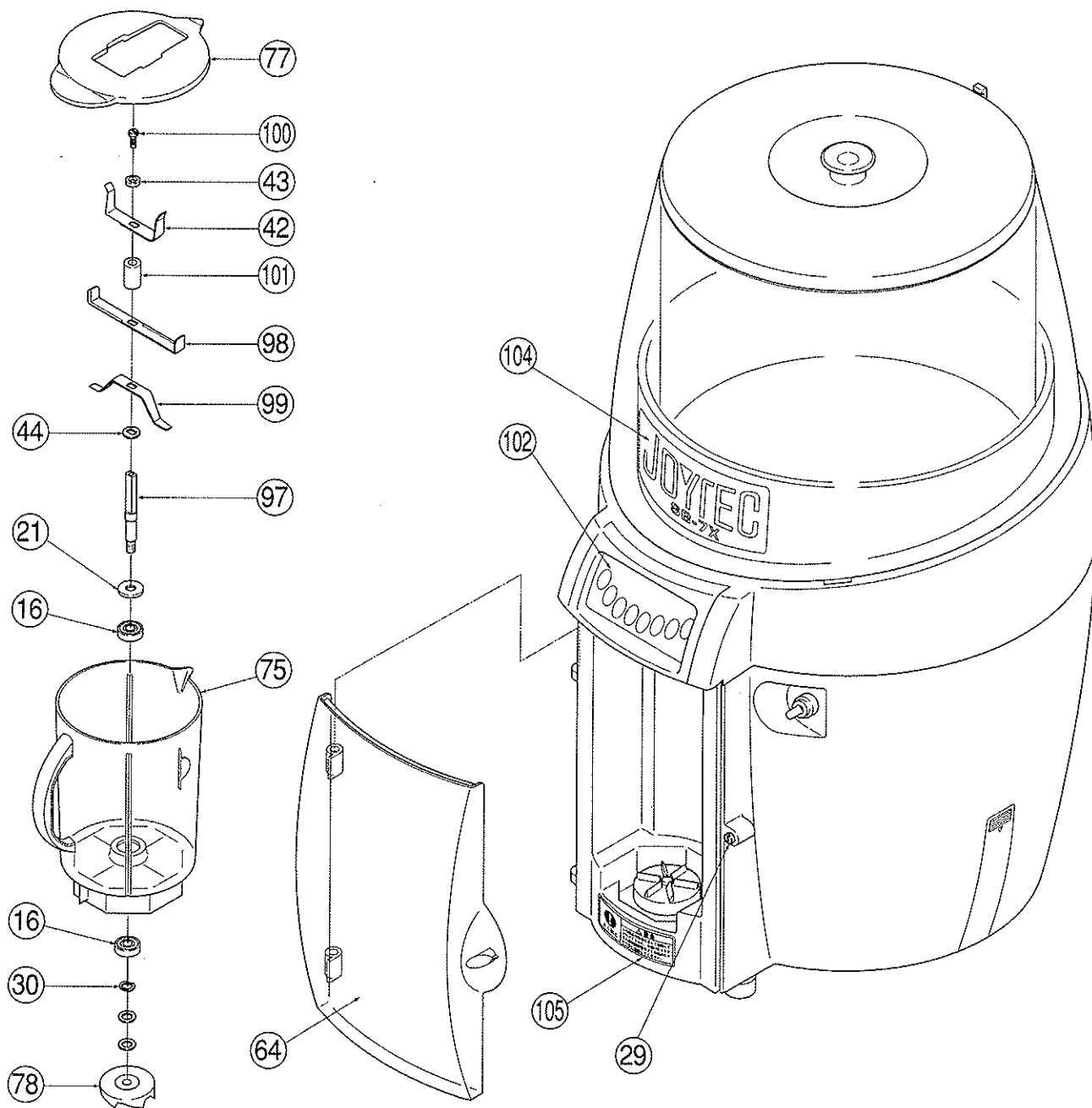
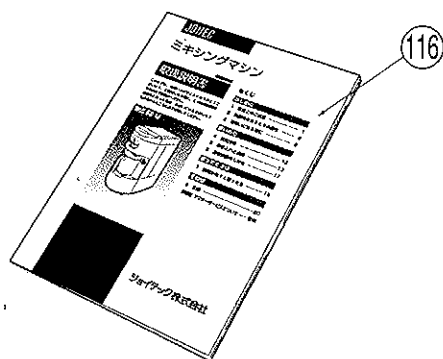
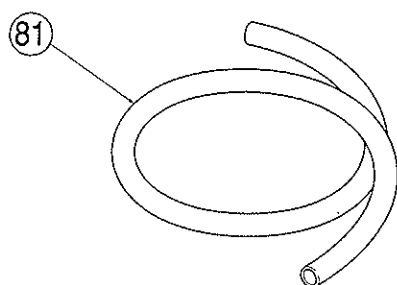


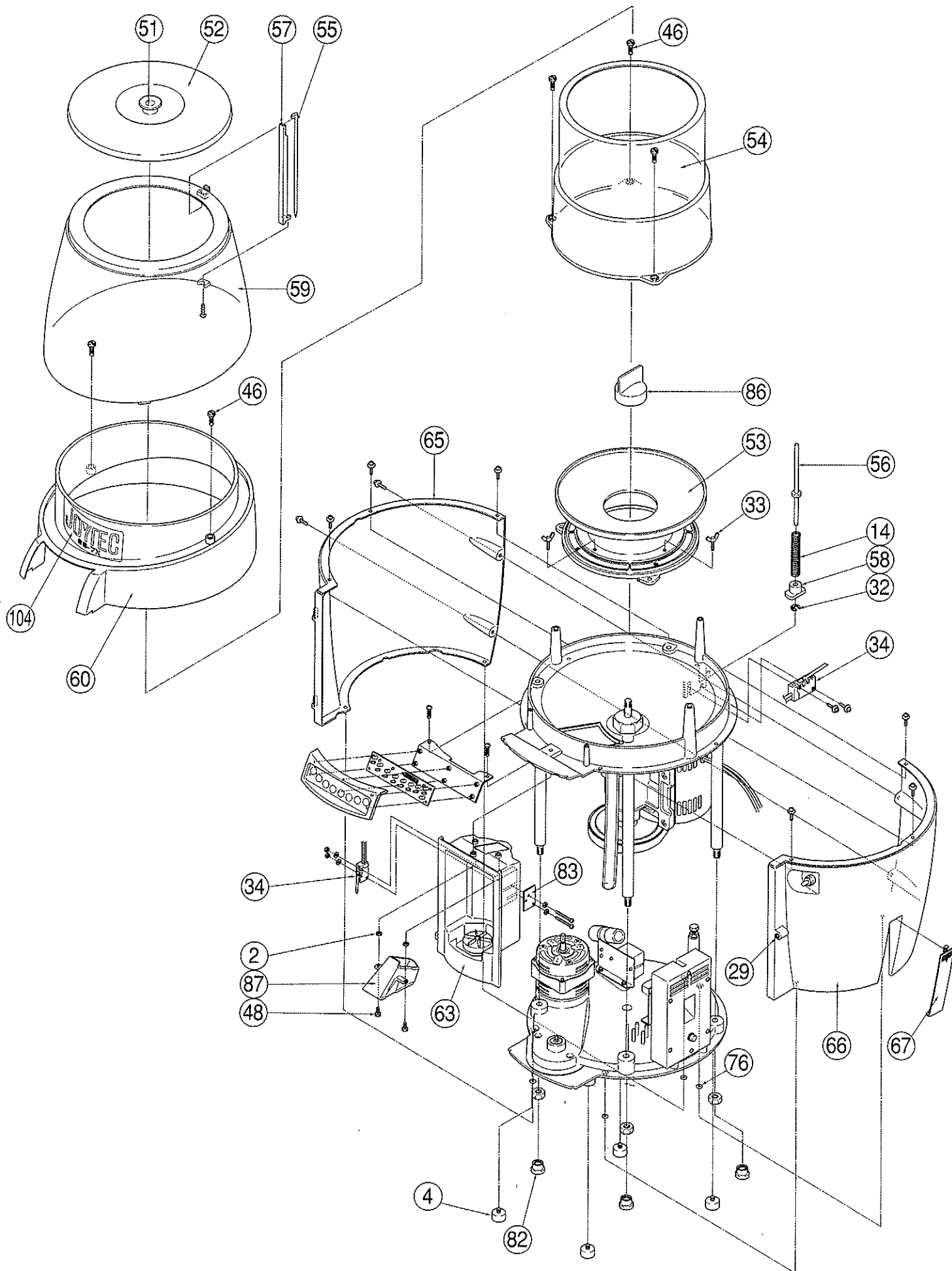
## 組立構造図1



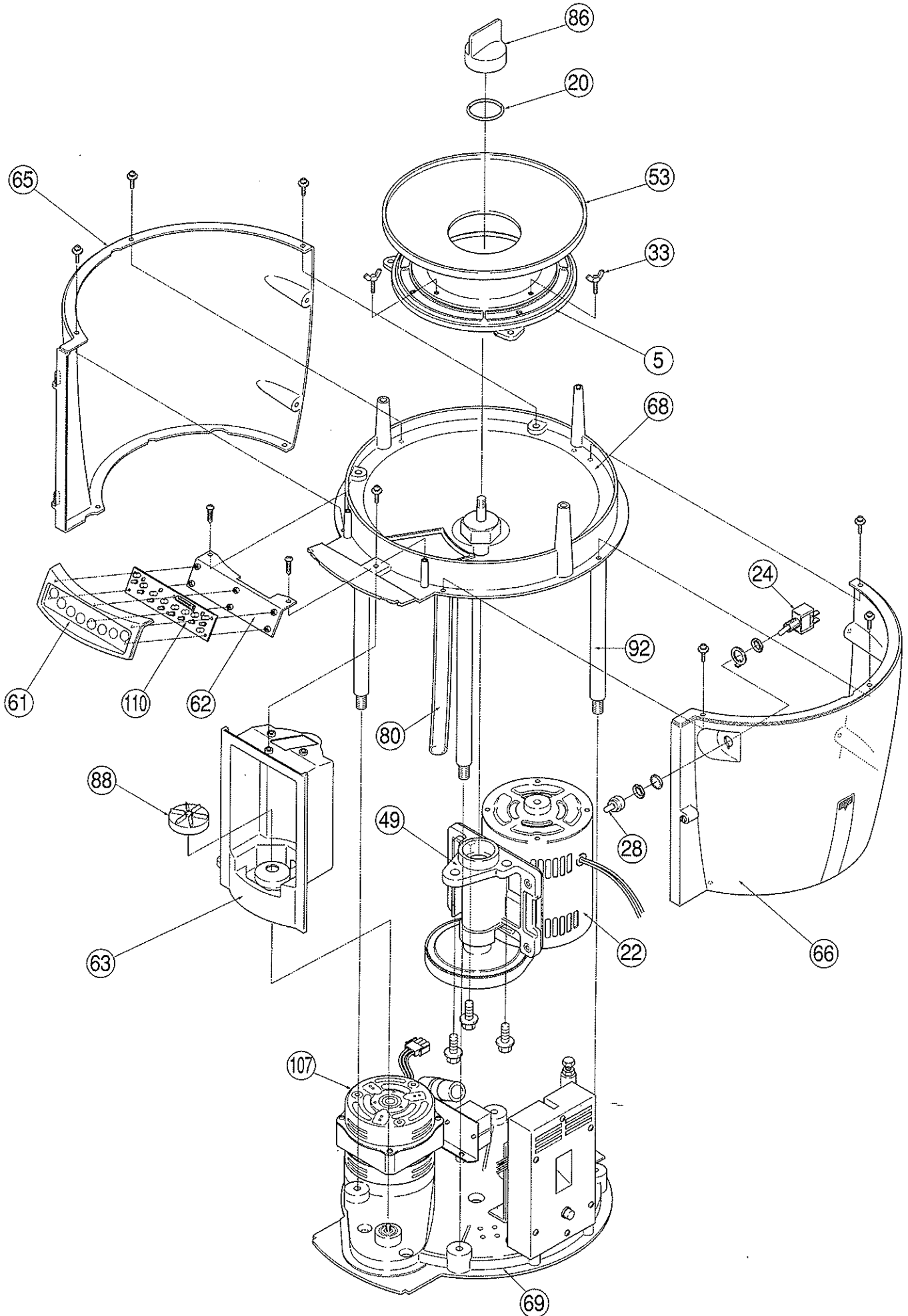
### 付属品



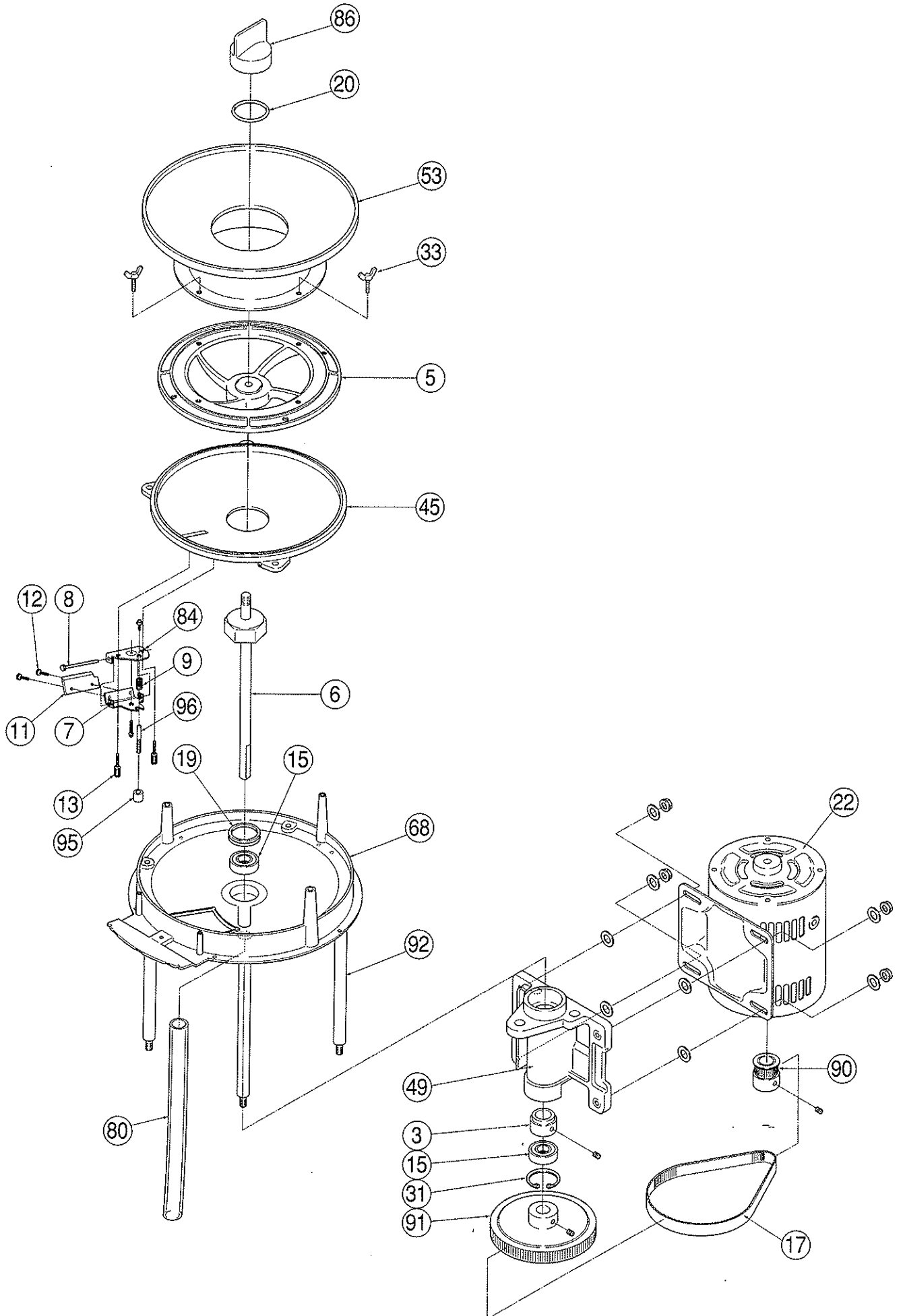
## 組立構造図 2



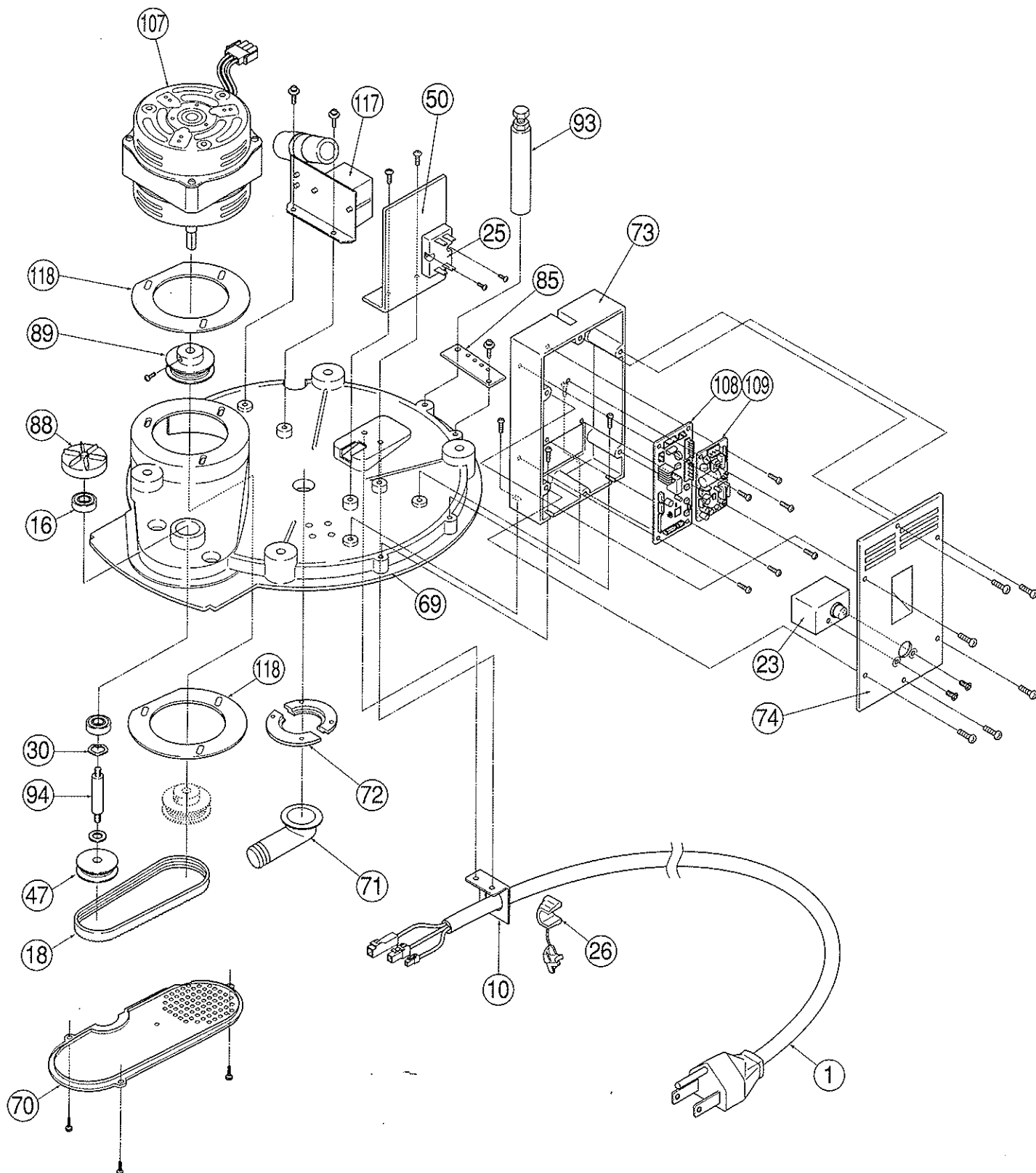
## 組立構造図 3



組立構造図 4



## 組立構造図 5



Joytec SB-7X Spare Parts List

Part #	Parts Name	Qty Used	Price
1	Power Supply Cord (115V)	1	\$18.00
2	Plastics Washer TM-147-2	2	\$0.30
3	Shaft Stopper	1	\$5.70
4	Rubber Leg	4	\$16.00
5	Rotary Wing with Bush	1	\$54.50
6	Main Shaft	1	\$76.00
7	Blade Fitting Plate	1	\$18.00
8	Blade Adjustment Shaft	1	\$16.50
9	Blade Adjustment Spring	1	\$9.30
10	Plate for Fitting Cord Clamp	1	\$2.40
11	Shaver Blade	1	\$24.00
12	NSF Screw 5*6.5	2	\$3.45
13	NSF Screw 5*7	2	\$2.10
14	Spring	1	\$1.50
15	Bearing SS-6003-2RS	2	\$27.00
16	Bearing 2280DD	4	\$9.00
17	Belt 100S-3M-456	1	\$27.00
18	Belt 180-JT-3	1	\$18.00
19	V-Ring V-38A	1	\$6.30
20	O-Ring P-30	1	\$0.42
21	Oil Seal AG0204A0	1	\$4.50
22	Main Motor (115V 200W)	1	\$226.00
23	Protector 5.0A(115V)	1	\$19.00
24	Power Switch	1	\$90.00
25	Relay	1	\$60.00
26	Cord Bush	1	\$1.10
27	Wire Connector 2-SD	2	\$0.15
28	Boot Cover for ON/OFF Switch	1	\$6.00
29	Magnet Catcher SM-123	1	\$5.25
30	Wave Washer WW-8	2	\$0.30
31	C Ring RTW-35	1	\$0.60
32	E Ring ETW-4	1	\$0.15
33	Butterfly Bolt M4*8	4	\$1.95
34	Micro Switch ABV163250F4	2	\$25.50
35	Power Supply Harness	1	\$12.00
36	Control Board Harness	1	\$11.40
37	Protector Harness	1	\$4.80
38	Mix Motor Harness	1	\$4.80
39	Main Board Harness	1	\$4.20
40	Earth Harness	1	\$4.95
41	Protector Harness	1	\$7.20
42	Mixing Upper Blade	1	\$25.50
43	Blade Spacer L5	1	\$5.25
44	Blade Washer	1	\$2.25
45	Conical Frame	1	\$90.00
46	NSF Screw 6*22	5	\$6.00
47	MIX Pulley A	1	\$30.00
48	Black Head Screw	2	\$0.60
49	Main Shaft Holder	1	\$51.00
50	Relay Mounting Bracket	1	\$15.00
51	Lid Knob	1	\$9.00
52	Ice Inlet Lid	1	\$60.00
53	Rotary Hopper	1	\$43.50
54	Ice Hopper	1	\$135.00
55	Switch Rod L	1	\$6.00
56	Switch Rod S	1	\$5.25
57	Rod Guide	1	\$9.00
58	Rod Stopper	1	\$4.20
59	Stocker Cover	1	\$145.50
60	Upper Cover	1	\$87.00
61	Operation Cover	1	\$16.50
62	Operation Backside Cover	1	\$15.00

Joytec SB-7X Spare Parts List

Part #	Parts Name	Qty Used	Price
63	Front Cover	1	\$87.00
64	Front Door	1	\$75.00
65	Side Cover Left	1	\$94.50
66	Side Cover Right	1	\$93.00
67	Side Door	1	\$10.50
68	Upper Flame	1	\$168.00
69	Body Base	1	\$100.50
70	Bottom Cover	1	\$18.00
71	Elbow for Drain Hose	1	\$11.25
72	Pipe Flange	2	\$3.00
73	Control Box	1	\$24.00
74	Control Box Cover	1	\$18.00
75	Blender Cup	1	\$150.00
76	Cover Cushion	4	\$1.50
77	Bottle Cap	1	\$42.00
78	Upper Coupling	1	\$22.50
79	Water Proof Plate	1	\$1.65
80	Drain Hose 275	1	\$1.50
81	Drain Hose 1500	1	\$9.00
82	Insulation Cap	3	\$3.00
83	Micro Switch Plate	1	\$1.50
84	Fitting Plate	1	\$21.00
85	Earth Plate	1	\$4.50
86	Rotary Wing Fix Nut	1	\$30.00
87	Ice Chute	1	\$52.50
88	Lower Coupling	1	\$24.00
89	Mixing Pulley Large	1	\$21.00
90	Slice Pulley Small	1	\$18.00
91	Slice Pulley L	1	\$75.00
92	Prop	4	\$10.50
93	Motor Prop	1	\$9.75
94	Mixing Shaft	1	\$6.75
95	Blade Adjustment Bolt	1	\$9.75
96	Blade Adjustment Screw	1	\$4.50
97	Blender Blade Shaft	1	\$40.50
98	Blender Middle Blade	1	\$36.00
99	Blender Lower Blade	1	\$43.50
100	Blade Holding Screw	1	\$6.00
101	Blade Spacer L25	1	\$7.95
102	Operation Label	1	\$31.50
103	ON-OFF Label	1	\$3.45
104	Bland Label	1	\$8.25
105	PL Label	1	\$3.75
106	Serial Number Label(7X)	1	\$4.00
107	Blender Mortor (115V)	1	\$342.00
108	Main Contorol P.C.Board	1	\$142.50
109	Power Supply P.C.Board	1	\$97.50
110	Operation P.C.Board	1	\$52.50
111	Operation P.C.Board Harness	1	\$26.25
112	Power Switch Harness	1	\$6.30
113	Shaving Mortor Harness	1	\$12.45
114	Relay Harness	1	\$6.30
115	Operation Board Manual	1	\$20.25
116	Carton Box Set	1	\$52.50
117	RC Unit (115V)	1	\$90.00
118	Bace Plate	2	
119	NSF Label	1	