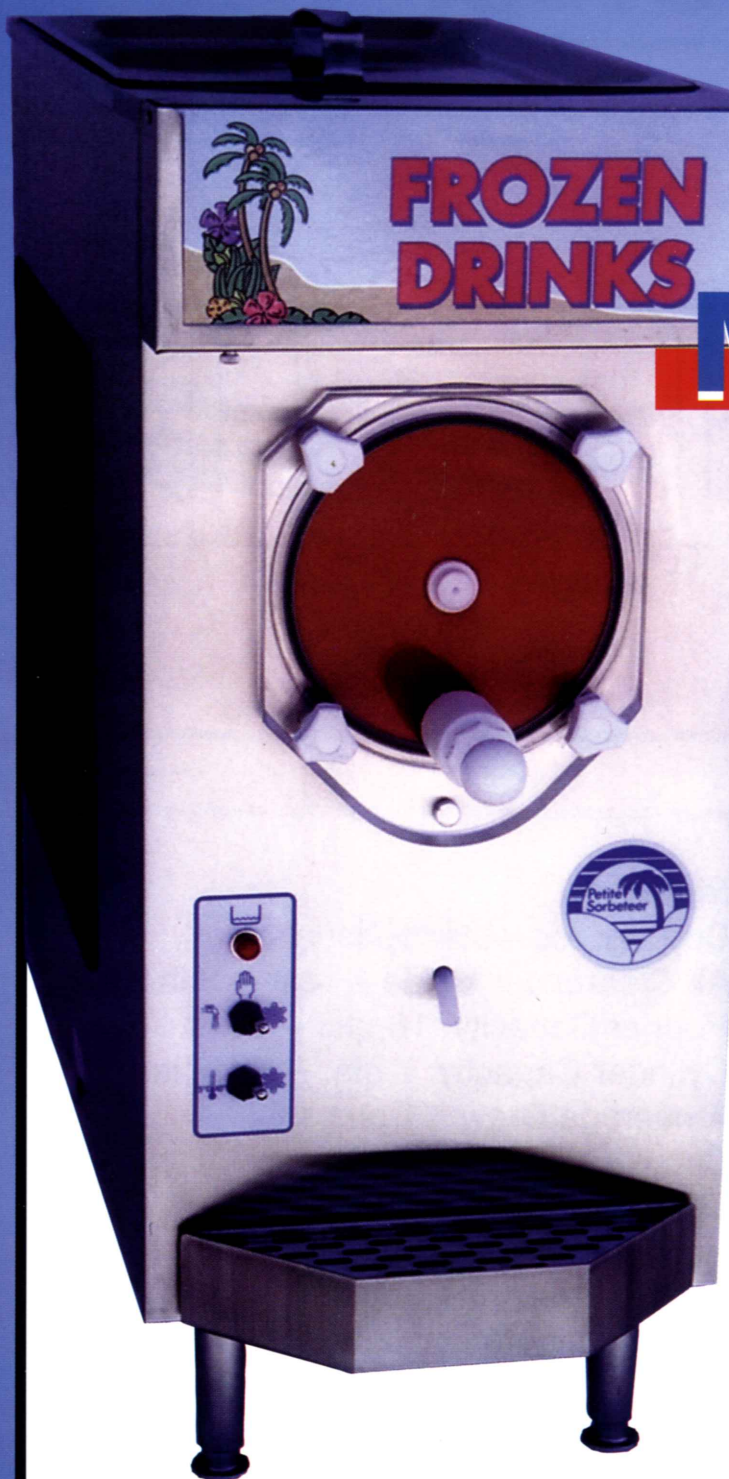


Petite Sorbeteer



**FROZEN
DRINKS**

Model 127



- **Compact Size** - Saving valuable counter space
- **2 Gallon Cylinder** - 4 gallon hopper
- **High Production** - Up to 16 gallons per hour
- **Lighted Flavor Sign** - Draws attention to product
- **Stand-by Switch** - Refrigerates mix overnight
- **Air Cooled Standard** - 115 volt

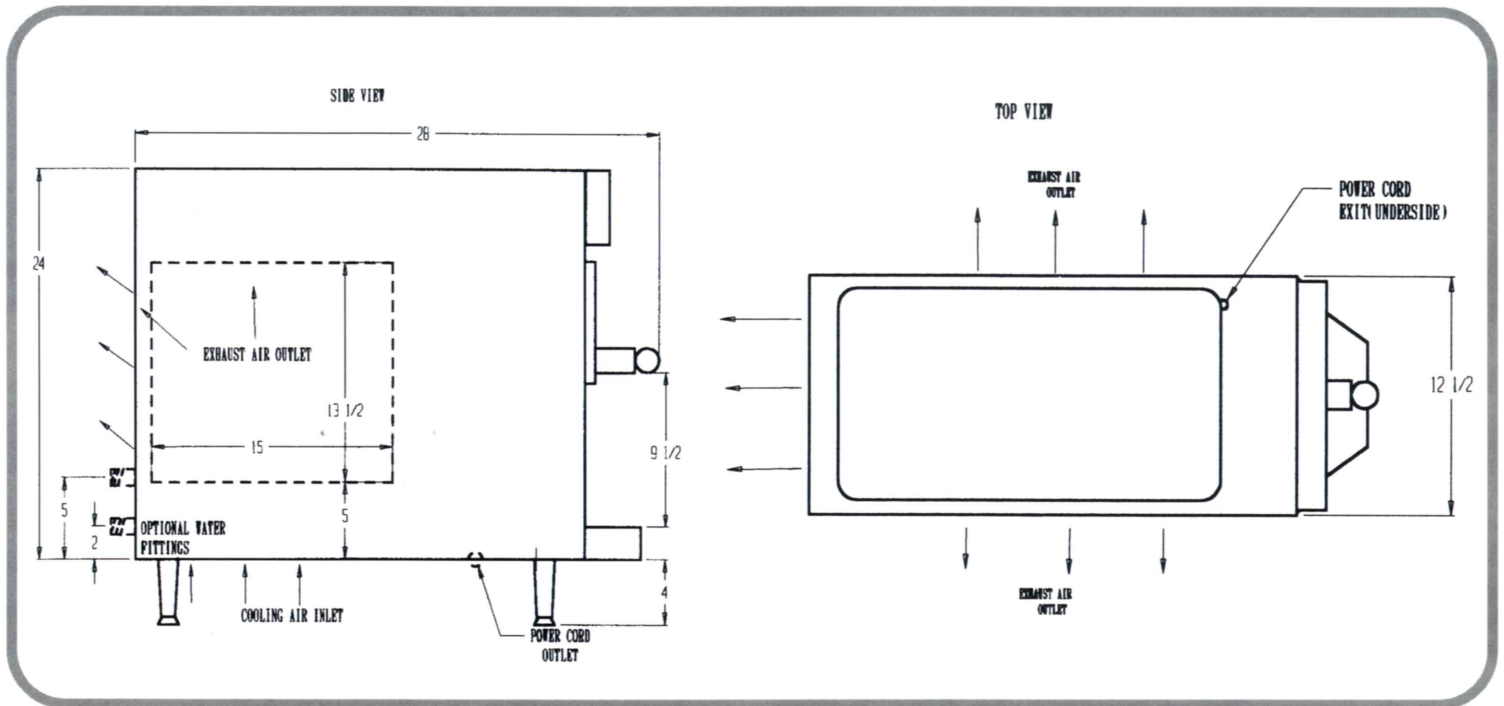
Frosty Factory of America, Inc.

2301 S. Farmerville St., Ruston, LA 71270

www.frostyfactory.com

(318) 255-1162 ■ (800) 544-4071 ■ (318) 255-1170 FAX

Petite Sorbeteer 127



Specifications

- Height: 28 in. -- 71 cm.
- Width: 12 in. -- 31 cm.
- Depth: 24 in. -- 61 cm.
- Weight: 140 lbs. -- 63 kg.
- Legs: 4 in. -- 10 cm.
- Shipping Size: 21"W X 31"D X 35"H
53 cm.W X 79 cm.D X 89 cm.H
- Shipping Volume: 13 cu. ft. -- 1/3 cu.M.
- Shipping Weight: 150 lbs. -- 66 kg.
- Voltage: 115 -- Opt. 230
- Hertz: 60 -- Opt. 50
- Phase: 1
- Cooling: Air, water optional
- Air Clearance: 1 side & rear -- 8 in. each
- Hopper Capacity: 16 qts. -- 15 ltr.
- Cylinder Capacity: 7 qts. -- 6 1/2 ltr.
- Amperage Draw: 11 amps
- Circuit Breaker: 20 amp
- Compressor: 3/4 h.p.
- Refrigerant: R404A
- Suction Pressure: 30psi
- Plug Configuration: 125v 15 amp
NEMA 5/15

Options: •Autofill •Mixer

Due to continuous research specifications subject to change without notice.

Frosty Factory of America, Inc.

2301 S. Farmerville St., Ruston, LA 71270

www.frostyfactory.com

(318) 255-1162 ■ (800) 544-4071 ■ (318) 255-1170 FAX